

Celosia ST2206

Wall - Hung Urinal

Features :

Stylish and Modern Design.
Easy Installation and Maintenance.

Specifications :

Installation : Available Top/Back Inlet
with Concealed Outlet Trap
Dimension : L 335 x W 443 x H 715 mm
Gross Weight Apprx. : 21.6 KGM±

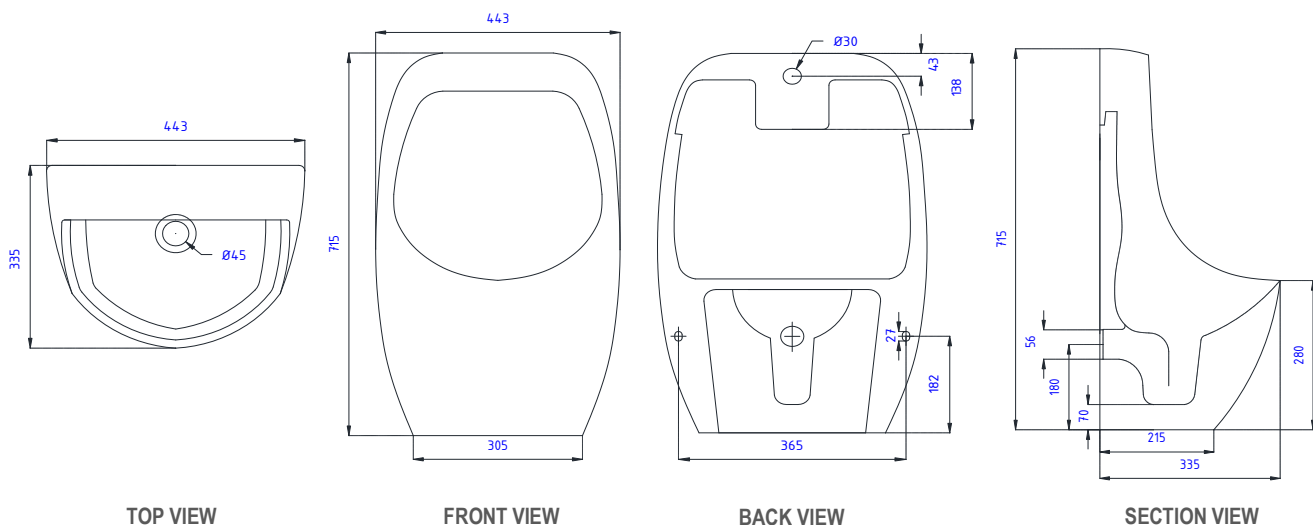
PUB Water Efficiency Labelling Scheme :

Rating : 3 Ticks
Water Consumption : 0.5 L / Flush
Model : 910 ACEL & Celosia ST2206
Registration No. : 06 / 2008 / 000024

Parts :

#10X1.5 S/Steel Screw
BKT WL06 Galvanised MS Bracket
RBH 66/77/99 Rubber Bush Urinal
S6 PVC Plugs
STPR 2206 Urinal Stopper
UG 66/77 U-Gasket for Wall Hung Urinal
M8X75 S/Steel Washer Bolt,Nut

Technical Drawing Specification :



www.saniton.com

Saniton Ceramic is Certified & Approved by :



All rights reserved by Saniton Ceramic. Specifications and sizes are subjected to changes without prior notice.