

Malva ST2056

Wall - Hung Urinal

Features :

Stylish and Modern Design.
Easy Installation and Maintenance.
Takes Up Minimal Space in a Bathroom Setting.

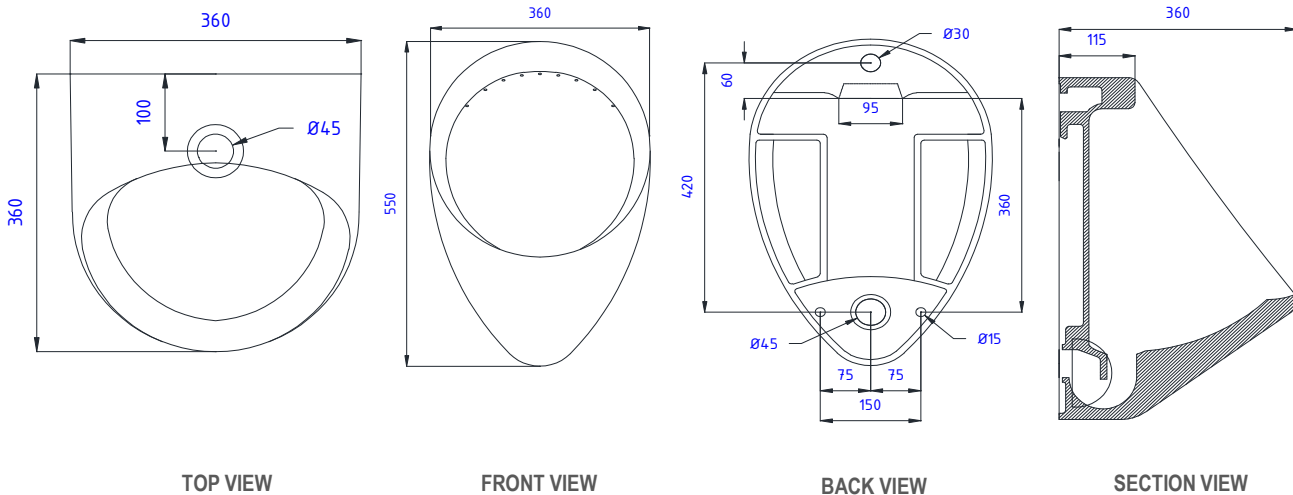
Specifications :

Installation : Available Back Inlet Only
with Concealed Outlet Trap
Dimension : L 360 x W 360 x H 550 mm
Gross Weight Apprx. : 14.5 KGM±

Parts :

#10X1.5 S/Steel Screw
BKT 2055 Galvanised MS Bracket
RBH 66/77/99 Rubber Bush Urinal
S6 PVC Plugs

Technical Drawing Specification :



www.saniton.com

Saniton Ceramic is Certified & Approved by :



All rights reserved by Saniton Ceramic. Specifications and sizes are subjected to changes without prior notice.